

Digital Distribution Amplifier 1683

Description

The 1683 is a ten output AES/EBU digital distribution amplifier. It is based on an extended 220mm Eurocard to enable several distribution amplifiers to be mounted in a standard 3U, 19" rackmount card frame.

Features:

- Inputs** One transformer balanced input with selectable 110/75 ohm input termination.
- Outputs** Ten transformer balanced outputs with 110 ohm output impedance.
- Monitoring** Front of card LEDs confirm the presence of a locked digital signal on each input and display the sample rate and warn of data errors.

Pre Assembled Systems:

A maximum of twelve 1683 distribution amplifiers can be supplied pre-wired in a 3U, 19" rackmounted card with an integral modular supply. All digital inputs and outputs are via rear panel 37 way D-type connectors. The card frame can also have a second backup power supply fitted with psu alarm failure indication.

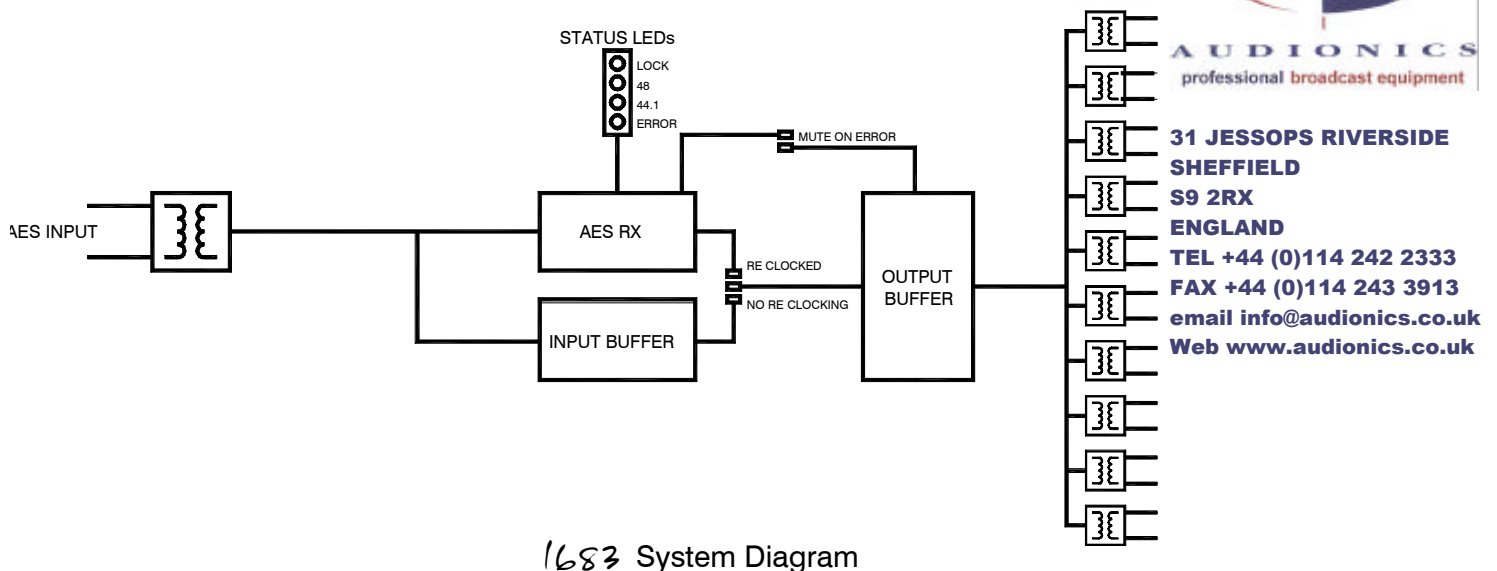
Key Features

1 in 10 out AES distribution amplifier

Regenerates clock signal

Non reclocking mode for minimum propagation delay

Front panel status indication



AUDIONICS
professional broadcast equipment

**31 JESSOPS RIVERSIDE
SHEFFIELD
S9 2RX
ENGLAND
TEL +44 (0)114 242 2333
FAX +44 (0)114 243 3913
email info@audionics.co.uk
Web www.audionics.co.uk**

Technical Specifications

Input Impedance

Output Impedance

Input Level Sensitivity

Output Jitter

Propagation Delay

Dimensions

Connector

Power

1683

Transformer balanced 110/75 ohms selectable

Transformer balanced – 110 ohms

400mV peak to peak

Negligible <3nS peak to peak

Re-clocked <100ns

220x100mm Eurocard

32/64 DIN 41612

+5V