

Mixing Amplifier MR102

Description

The MR102 mixer is a ten input, two output, fixed gain, line level mixer, housed in a 1U, 19" rackmount case with integral mains power supply. The unit is designed to enable any input or output to be connected to unbalanced equipment without affecting overall gain.

Features:

Inputs - Ten electronically balanced, high impedance inputs, which can be operated in stereo or dual mono mode. Inputs are via rear panel mounted XLR connectors. The five stereo inputs are mixed onto a stereo output bus.

Outputs - Two electronically balanced, low impedance outputs. Each output has independent gain adjustment of +6dB/-14dB, which enables the mixer to drive domestic equipment directly. The outputs will drive both balanced and unbalanced circuits without affecting the gain of the other output.

Connectors - All audio inputs and outputs via 3 pin rear panel XLRs.

Options - Transformer Balanced Outputs.

Applications:

The MR102 has been designed to provide the user with a method of mixing several line level sources. Applications include cue feed mixing, the combining of outputs of several audio machines, or the mix down of multiple computer assisted playout machines to one mixing desk input.

Key Features

Ten inputs

Two outputs

Stereo or dual mono mode

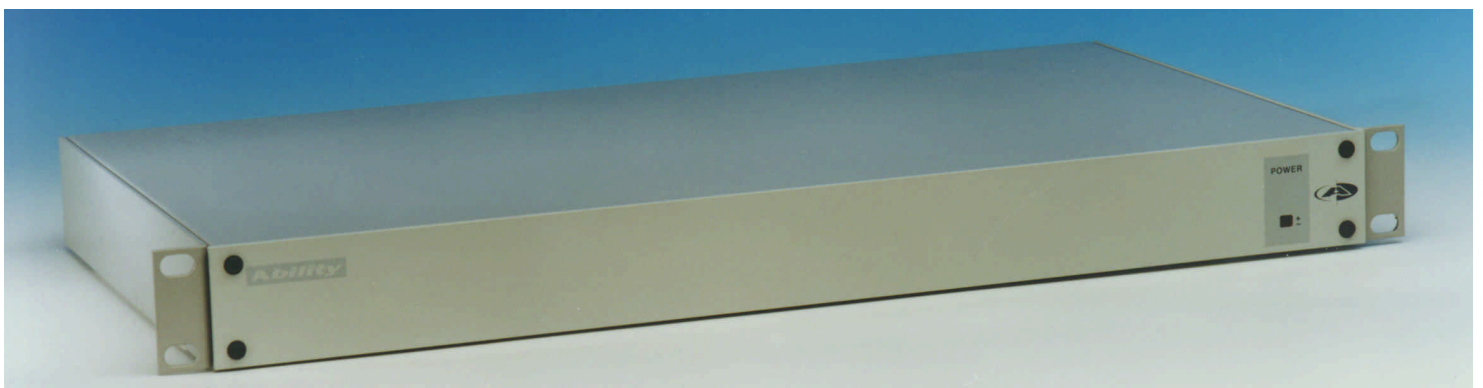
Electronically balanced inputs and outputs will also interface with unbalanced equipment

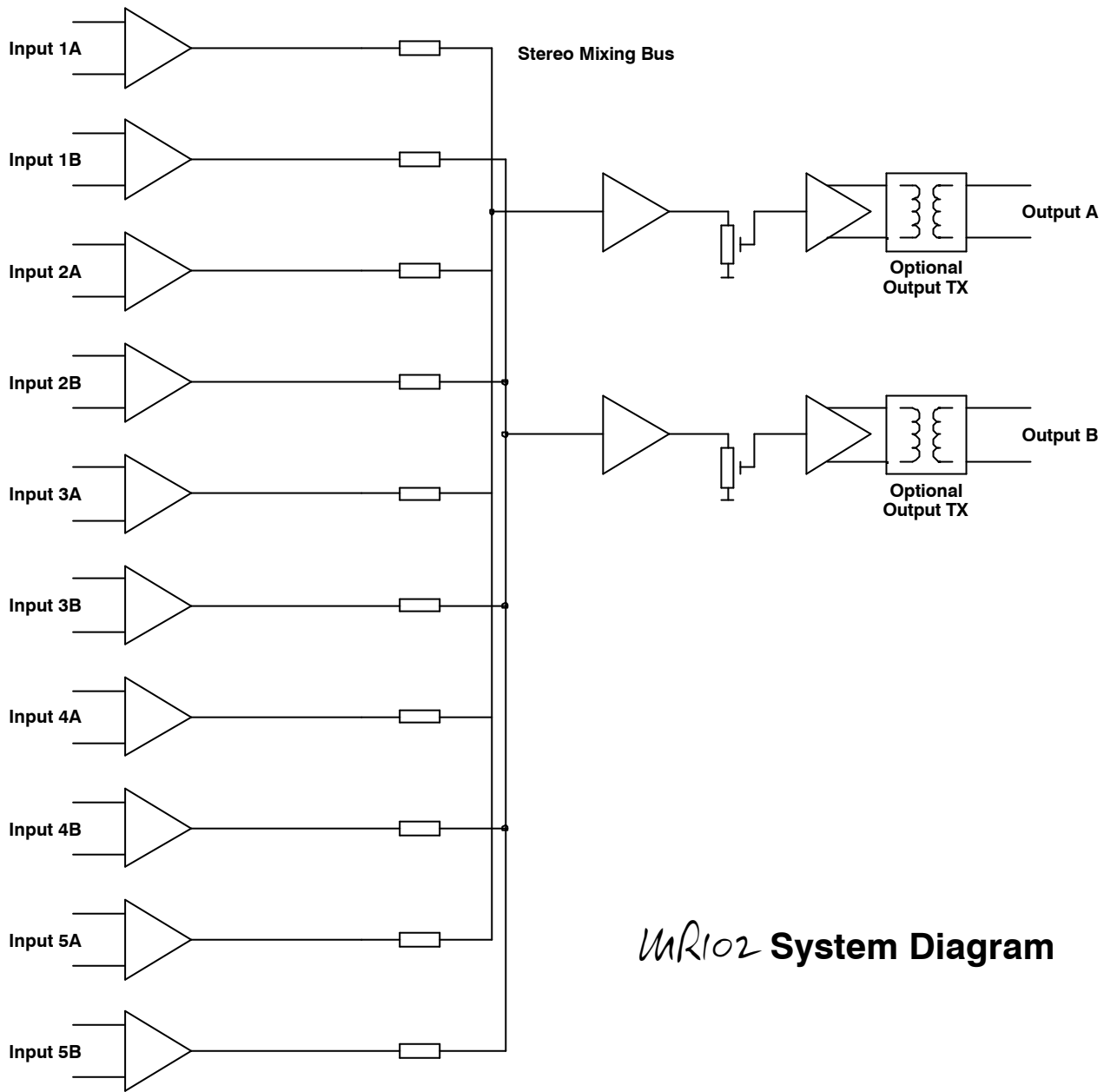
Individual gain adjustment on each output



AUDIONICS
professional broadcast equipment

**31 JESSOPS RIVERSIDE
SHEFFIELD
S9 2RX
ENGLAND
TEL +44 (0)114 242 2333
FAX +44 (0)114 243 3913
email info@audionics.co.uk
Web www.audionics.co.uk**





MR102 System Diagram

Technical Specifications	MR102
Input Impedance	36k ohms
Maximum Input	+22dBu
Output Impedance	50 ohms
Maximum Output	+24dBu
Output Gain Adjust	+6dB, -14dB
Crosstalk	<-80dB at 10kHz
Frequency Response	±0.5dB, 10Hz-24kHz
Distortion (THD + Noise)	<0.01%, 100Hz @ +10dBu
Noise	<-80dBu peak, 20Hz-20kHz
Dimensions	1U (44mm) high, 245mm deep
Power	220-240V, 20W
Weight	5kg

Specification and designs are subject to change without prior notice for the purposes of improvement. E & OE