

Soundcheck Monitor SC1

Description

The SC1 Soundcheck Monitor is a compact, 2U, 19", rackmount unit with integral mains power supply. Allowing both aural and visual monitoring of several sources, it is an essential part of all audio installations.

Features:

Inputs - 6 stereo inputs (balanced or unbalanced) via a 56 way rear panel Varicon connector. The selected source is monitored on a 48 LED twin bargraph PPM which gives 1dB/LED resolution over a ± 12 dB range. The LEDs over +8dB are coloured red to give an indication of over modulation. A bicolour LED in the PPM display indicates correct phase relationship between the two signals.

Loudspeakers - Two inbuilt, high quality loudspeakers provide aural monitoring of the selected source. The speakers are mounted in an infinite baffle system and are equalised to give the maximum output range. The loudspeakers have a front panel volume control.

Headphones - A front panel socket also allows headphone monitoring. When the headphones are plugged in, the speakers are muted and the speaker equalisation circuit is bypassed. The headphone volume is controlled by the same volume control as the speakers.

Muting - The loudspeakers can be muted by a pair of external closing contacts.

Connectors - All audio input/outputs via a 56 pin rear panel female Varicon. $\frac{1}{4}$ " (A/B gauge) front panel headphone socket

Test Inputs - Two convenient front panel A/B gauge jack sockets provide an additional stereo monitoring input, which is useful when the unit is mounted near a patch bay. The test inputs break away the source selected by the switches.

Applications

The Soundcheck Monitor is an invaluable tool in any area where several sources need monitoring (e.g. transmission control areas), but will be equally versatile in non broadcast areas. The compact design makes it ideal for installation at remote sites or in portable systems where space is at a premium.

Key Features

6 Analogue Inputs

LED Bargraph PPM

Inbuilt Stereo Speakers

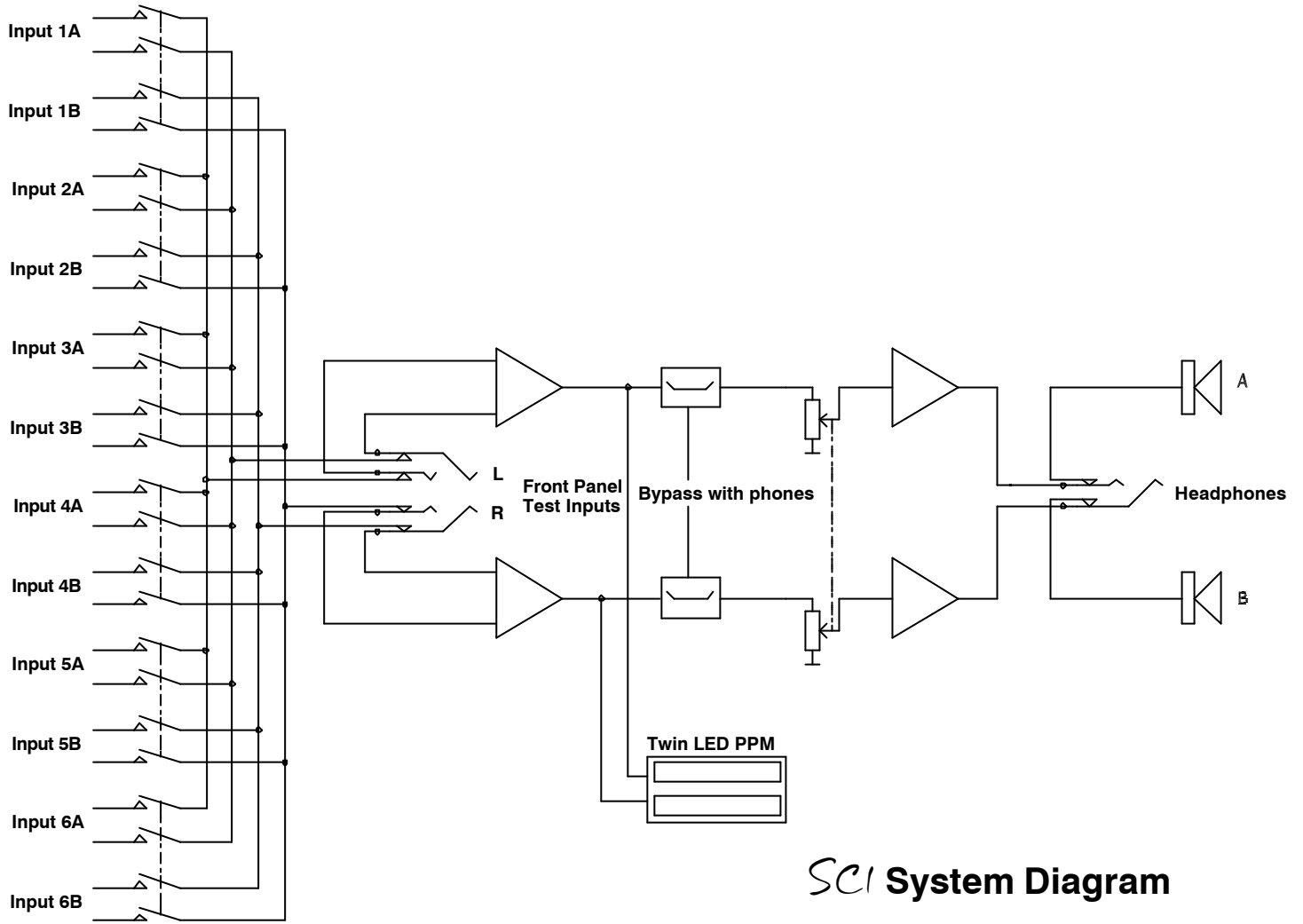
Headphone Output



AUDIONICS
professional broadcast equipment

**31 JESSOPS RIVERSIDE
SHEFFIELD
S9 2RX
ENGLAND
TEL +44 (0)114 242 2333
FAX +44 (0)114 243 3913
email info@audionics.co.uk
Web www.audionics.co.uk**





SC1 System Diagram

Technical Specifications	SC1
Input Impedance	36k ohms
Maximum Input	+22dBu
Loudspeaker Power	8 Watts per channel
PPM	48 LED, Dual Channel, 1dB res
Dimensions	2U (88mm) high, 260mm deep
Power	220-240V, 30W
Weight	4kg